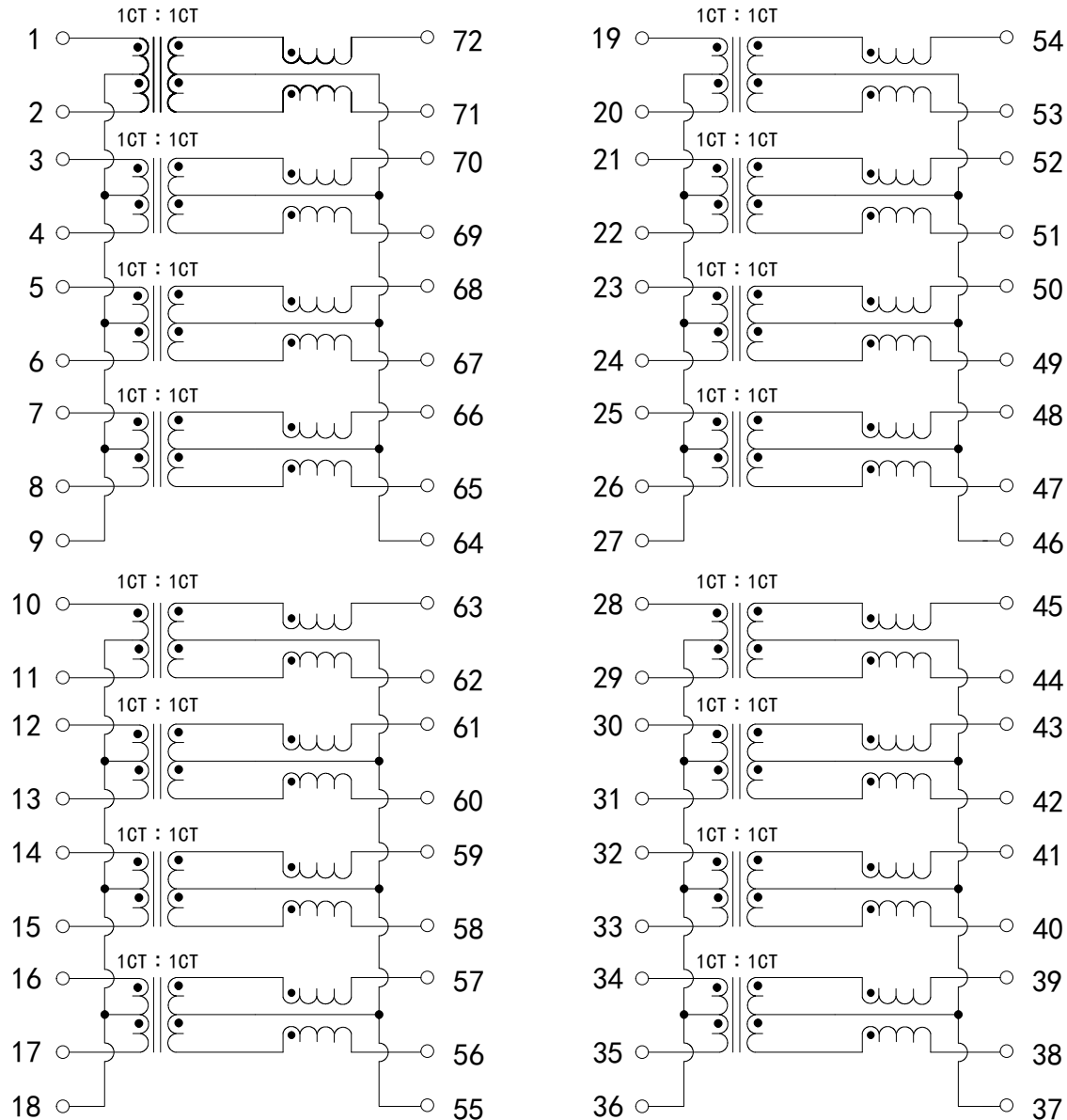


# Schematic:

REV.	ECN NO.	DESCRIPTION	DATE	APPD
A	REL		2010/07/27	



## Electrical Specifications @25°C

- Pri Inductance:  
350uH Min @100KHz, 0.1V, 8mA.
- Leakage Inductance:  
0.5uH Max @1MHz, 0.1V.
- DCR: 0.9 Ω Max.
- Turns Ratio:  
1CT:1CT ±5%
- Insertion Loss:  
0.1-100MHz:-1.0dB Max
- Return Loss(dB Min):  
1-30MHz:-18      40-50MHz:-14.2  
60-80MHz:-12
- Crosstalk(dB Min):  
30MHz:-40      60MHz:-35  
100MHz:-30
- Hipot: 1500Vrms/0.5mA
- Operating Temperature: 0°C ~70°C.



X:X	± 0.30	APPD:	LINK-PP INT'L TECHNOLOGY CO., LIMITED	
X:XX	± 0.25	CHKD:	TITLE: 1000Base-TX 1x4 Port Transformer Modules	
X:XXX	± 0.05	DR: TOM	PART NO.: LP5027NL	
ANGLES	± 1°	UNIT: mm	DWG NO.: LP10071229	
	SCALE: 2/1	SHEET: 1/2	REV: A	



Sales Department A-B2

Sales Engineer / Summer Ming - 明夏

Tel: 0086-752-3322915      Mob: 0086-180-2668-6530

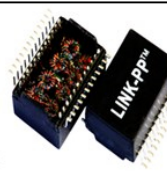
Fax: 0086-752-3161926

E-mail: Summer@link-pp.com

www.link-pp.com

LINK- PP INT'L TECHNOLOGY CO., LIMITED

Jia An Industrial Park, Chenjiang Rd, Zhongkai Hightech Zone, Huizhou City,  
516003, China



LINK- PP INT'L TECHNOLOGY CO., LIMITED

Seris : LPJXXXXXXXX/ LPXXXXXXXX/ LPAXXXXXXX